

6

5

4

3

2

1

D

C

B

A

D

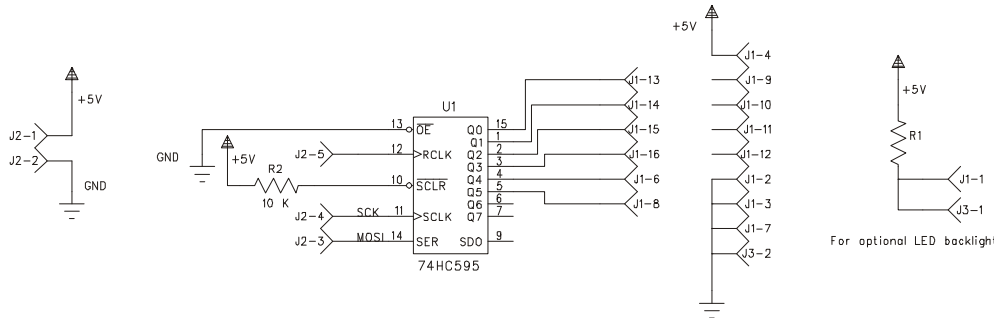
C

B

A

REVISION RECORD			
LTR	ECO NO:	APPROVED:	DATE:

### LCD Header



COMPANY:			
TITLE: SPI to LCD interface			
CODE:	SIZE:	DRAWING NO:	REV:
	B		
SCALE:			SHEET:1 OF 1

DRAWN: RAS	DATED: 6/2/00
CHECKED:	DATED:
QUALITY CONTROL:	DATED:
RELEASED:	DATED: